

The JA-150A II Internal wireless siren

The JA-150A II siren is a component of the JABLOTRON 100+ system. It is used for alarm indication inside a building with the possibility to distinguish between types of alarm with different types of indications. It can also be used for other acoustic indications (PG outputs, entry/exit delays, a doorbell). Pressing a button on the siren can silence the alarm indication in progress (which can also confirm somebody's presence on the premises or trigger a panic alarm (optional function)). The siren is equipped with a backup battery for cases when AC dropouts occur. The siren takes one position in the system and should be installed by a trained technician with a valid certificate issued by an authorized distributor.

Installation

The siren can be installed directly on a plaster wall or into a special enclosure. The siren contains front and rear tamper contacts.

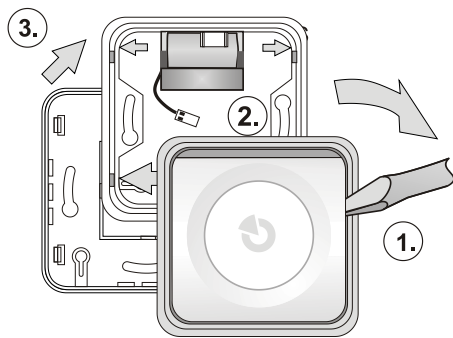


Figure 1: Disassembly of the siren before installation

1. Remove the body (buttons) of the siren from the plastic frame by pressing on a side of the body (1.) using a screwdriver as shown in figure 1.
2. Remove the middle part of the frame (3.) by pushing the 4 tabs indicated by arrows (2.)
3. Push the power cable through a designated rectangular recess in the plastic base.
4. Attach the plastic base to the selected place using screws. Place the BAT-3V2-CR2 battery underneath the top side of the plastic base as shown in figure 1.
5. Connect the power supply cable to the terminals following figure 2 (3), connect the battery (2) to the PCB placed on the plastic base (2).
6. Assemble the plastic frame with the plastic base which will fix the battery in position.

The siren power supply can only be installed by a person with an adequate electro-technical qualification.



WARNING: This device is directly connected to mains electricity

7. Connect the body (buttons) to a connector (4) and assemble it with the plastic frame. Attention, the tamper sensor (6) must be positioned above the magnet (5) on the plastic base.
8. Proceed by following the control panel installation manual. Basic instructions:
 - a. When the power supply is connected, the yellow LED (1) starts flashing to indicate the siren has not yet been enrolled into the system.
 - b. Open the **F-Link** software, select an unused position in the **Devices** tab and click on the **Enroll** button to launch the enrollment mode.
 - c. Press one of the siren buttons (at the top or at the bottom) – the siren is now enrolled and the yellow LED indicator switches off.

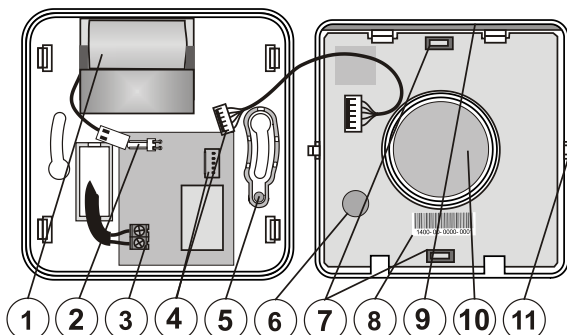


Figure 2: 1 – battery; 2 – battery connector; 3 – 230V AC mains power terminal; 4 – Siren to PCB connector; 5 – tamper magnet; 6 – tamper sensor; 7 – internal buttons; 8 – production number; 9 – LED indicator; 10 – piezo-electric siren; 11 – tabs

Notes:

- The enrollment of the siren to the control panel is also possible by entering the production code via the F-Link software. The production code is on a sticker with a bar code which is glued onto the rear side of the siren or onto the PCB (8). All digits of the production number are required (example: 1400-00-0000-0001).
- If you want to remove the siren from the system, erase it from its position in the F-Link software.

Setting properties

Open the F-Link software, go to the **Devices** tab. Click on the **Internal settings** option at the siren's position to open a dialog window where you can set the following options: (* indicates default settings).

The Setting tab:

Acoustic indication of an intrusion alarm from sections: The selection of sections which should indicate an intrusion alarm via the siren. The default setting is the indication of an intrusion from all sections.

Reaction: Determines whether the siren should indicate **IW*** (internal warning) or **EW** (external warning) signals. Alarm indication with this siren can also be completely disabled (other functions remain active).

Siren sound: Intermittent*, Continuous

Maximum siren time: 1, 2, 3*, 4, 5 minutes and OFF – if the OFF option is selected then the acoustic indication corresponds with the **Alarm length** parameter in the F-Link **Parameters** tab.

Different fire alarm indication: YES/NO* - Determines whether the siren will differentiate between acoustic indications of fire and standard alarms. The indication of an acoustic fire alarm is identical to smoke detectors with internal sirens – fast beeping.

Other acoustic indication from sections: Selection determines which sections will indicate other types of alarm via the detector. Indication for all sections is enabled by default.

When controlled by a section: YES / NO* - If enabled, the siren beeps 1x after setting, 2x after unsetting and 3x times when unsetting after an alarm. It only does so for selected sections.

During warning: YES / NO* - when enabled, the siren reacts with three beeps to the inability to set the system, unsuccessful setting and unsetting with an active alarm memory.

Entry delay: YES / NO* - if enabled, the siren indicates the entrance delays of the selected sections.

Exit delay when partially set: YES / NO* if enabled, the siren indicates the exit delays of the selected sections when the system is set partially. This option is available only when the entrance delay of fully set sections is enabled.

Exit delay when fully set: YES / NO* if enabled, the siren indicates the exit delays of the fully set selected section.

Level of volume of supplementary acoustic indication: Standard*, Increased, By button, Programmable – Applies only to other acoustic indication and the acoustic indication of PG outputs. It has no influence on the volume of alarm indication. If the "By button" option is selected, the volume can be changed by a user by pressing the lower part of the siren for 3 seconds (when the system is out of Service mode) – the change of volume is confirmed by a beep and in the volume of the new selected volume.

The "Programmable" option displays time sliders which set a period of time to switch between the standard and increased loudness during the day.

The Signalling PG tab:

LED indicates sounding PG output: If enabled, acoustic indication is triggered by an active PG output is continuously indicated by LED.

Sound indication can be set for each PG output:

Slow beeping - beeps 1x per second (as long as the PG output is active).

Quick beeping – beeps 2x per second (as long as the PG output is active).

1x ON/2x OFF – beeps 1x when the PG is activated, beeps 2x when the PG is deactivated.

20 sec of beeping – beeps continuously for 20 secs when a PG output is activated.

Melodies 1 to 4 – available doorbell melodies

System reaction to pressing a siren button

By default, pressing the siren button during an alarm mutes the siren and concurrently confirms a person's presence in the building (the control panel sends a report). It is possible to change the siren button settings in the **Devices** window of the F-Link software to trigger a different reaction, for example a Panic alarm.

The JA-150A II Internal wireless siren

Settings in accordance with security grade 2

If security grade 2 is required, it can be configured by selecting **EN 50131, grade. 2** from **System profiles** located in the **Parameters** tab in the F-Link software. The device will be configured according to the selected standard.

Siren indication priority

Fire alarm indication has the highest priority followed by IW and EW alarm.

A lower indication priority belongs to interaction with the system (setting/unsetting...) followed by indication upon activation of PG outputs (PG1 has a higher priority than PG2 etc.). Indication with a higher priority always terminates indication with a lower priority.

Priority levels of acoustic indication in descending order: Fire alarm, IW/EW alarm, warning indication, unsetting the system with an active alarm memory indication, Setting/Unsetting, Entrance/Exit delay, alarm memory indication, PG output indication and finally, the siren flashes an LED light when the status of the tamper sensor changes.

Battery replacement

A battery is included, however it is not factory-fitted in the siren therefore it needs to be inserted into the device. The battery recharges in a standard way (see *Technical specifications*). When replacement is necessary, it is possible to order the BAT-3V2-CR2 replacement battery. Connect it to the connector (see figure 1, point 2). The siren automatically detects whether the battery is connected and performs diagnostics. The measured values are then displayed in the F-Link software. The siren monitors its own battery status and informs a user (alternatively the service technician) when the battery is close to being depleted. The device continues in its function however it is recommended to replace the battery within 2 weeks. Use the BAT-3V2-CR2 type of battery specifically.

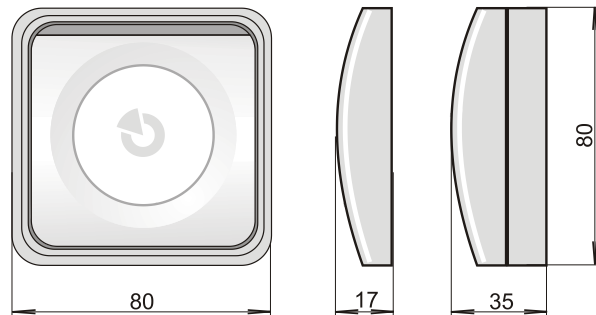
The battery should be replaced by a service technician while the control panel is in Service mode. Do not discard the battery in the trash; dispose of it at a waste collection point.

Siren FW update

The siren supports wireless FW updates performed by the **F-Link** software while the control panel is in **Service** mode.

1. Click on the **Control panel** menu → **Firmware update**. JA-150A will appear in a dialog window. If F-Link contains newer firmware, it will be selected automatically.
2. Confirm the update of the selected devices by clicking on the **OK** button.
3. When the FW update has finished, check the siren's internal settings in the **Devices** window → **Internal settings**.
4. Test whether the siren functions correctly.

Dimensions



Technical specifications

Power supply/wattage	110 - 230 V/50 -60 Hz, 0.6 W, protection class II
Connecting cables - maximum diameter	1.5 mm ²
Backup / recharge time	min. 24 h/max 72 h
Battery type	BAT-3V2-CR2/LiFePo4
	Warning: Battery is not installed
Battery / lifetime	3.2 V; 470 mAh/3 years
/ minimum voltage when loaded	3.0 V
/ maximum voltage when unloaded	3.6 V
Communication band	868.1 MHz, JABLOTRON protocol
Communication range	approx. 300 m (open area)
Classification	security grade 2/environmental class II
- According to	EN 50131-1
- Alarm sound level	100 dB/1 m (±5 dB/1 m)
- Back up power supply	type W/24h back up
- Operational environment	indoor general
- Operating temperature range	-10 °C to +40 °C
- Average operational humidity	75 % RH, non-condensing
- Certification body	Trezor Test s.r.o. (no. 3025)
IP rating	IP43 according to EN 50131-1
Dimensions	80 x 80 x 35 mm
Also complies with	ETSI EN 300 220, EN 50130-4+A1:2014, EN 55032:2015, EN 62368-1, EN 50131-5-3, EN 50581:2012, EN 50131-4, EN 50131-6
Can be operated according to	ERC REC 70-03



JABLOTRON ALARMS a.s. hereby declares that the JA-150A II is in a compliance with the relevant European Union harmonisation legislation: Directives No: 2014/53/EU, 2014/35/EU, 2014/30/EU, 2011/65/EU. The original of the conformity assessment can be found at www.jablotron.com - Downloads Section.



Note: Although this product does not contain any harmful materials we suggest you return the product to the dealer or directly to the producer after use.